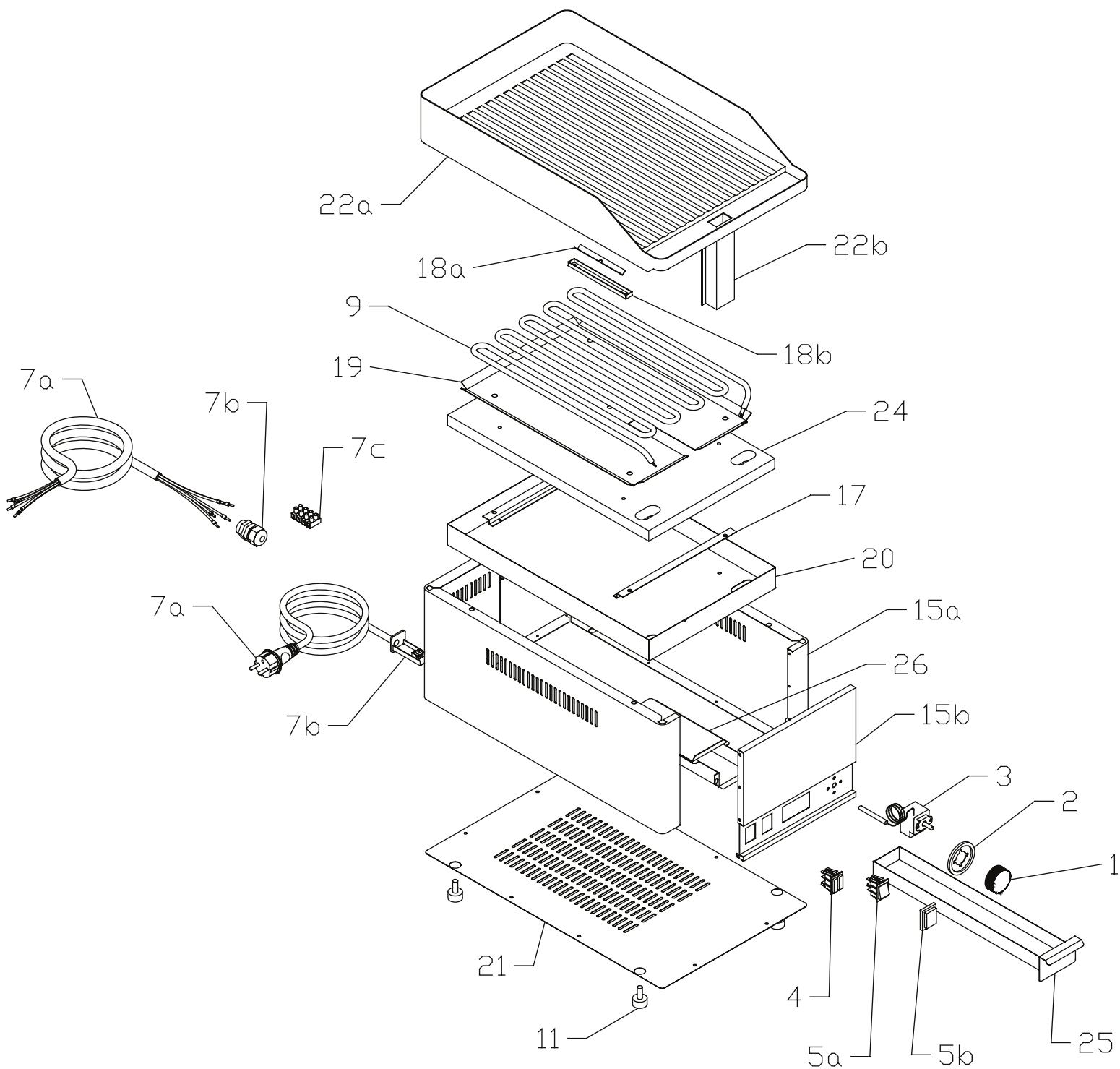


Rozkres FTR (C) - 30, FTHR (C) - 60

platí do 1.6.2009





FTR - 30
platí do 1.6.2009

Poz.	Kód
1	rm402593000
2	rm402595000
3	rm402503500
4	rm401510000
5a	rm401500500
5b	rm401509000
6	-----
7a	rm402010500
7b	rm402085500
8	-----
9	rm401025010
10	-----
11	rm407810500
12	-----
13	-----
14	-----
15a	rm501000100
15b	rm451001010
16	-----
17	rm451002500
18a	rm451008700
18b	rm451008600
19	rm451007500
20	rm451002400
21	rm451002000
22a	rm501005555
22b	rm501002100
23	-----
24	rm407500500
25	rm503000450
26	rm501002200

FTHR - 60
platí do 1.6.2009

Poz.	Kód
1	rm402593000
2	rm402595000
3	rm402503500
4	rm401510000
5a	rm401500500
5b	rm401509000
6	-----
7a	rm402010700
7b	rm402086016
7c	rm402080100
8	-----
9	rm401025010
10	-----
11	rm407810500
12	-----
13	-----
14	-----
15a	rm501000500
15b	rm451016010
16	-----
17	rm451019500
18a	rm451008700
18b	rm451008600
19	rm451007500
20	rm451019000
21	rm451018500
22a	rm501005595
22b	rm501002100
23	-----
24	rm407500500
25	rm503000450
26	rm501002200

FTR-C - 30
platí do 1.6.2009

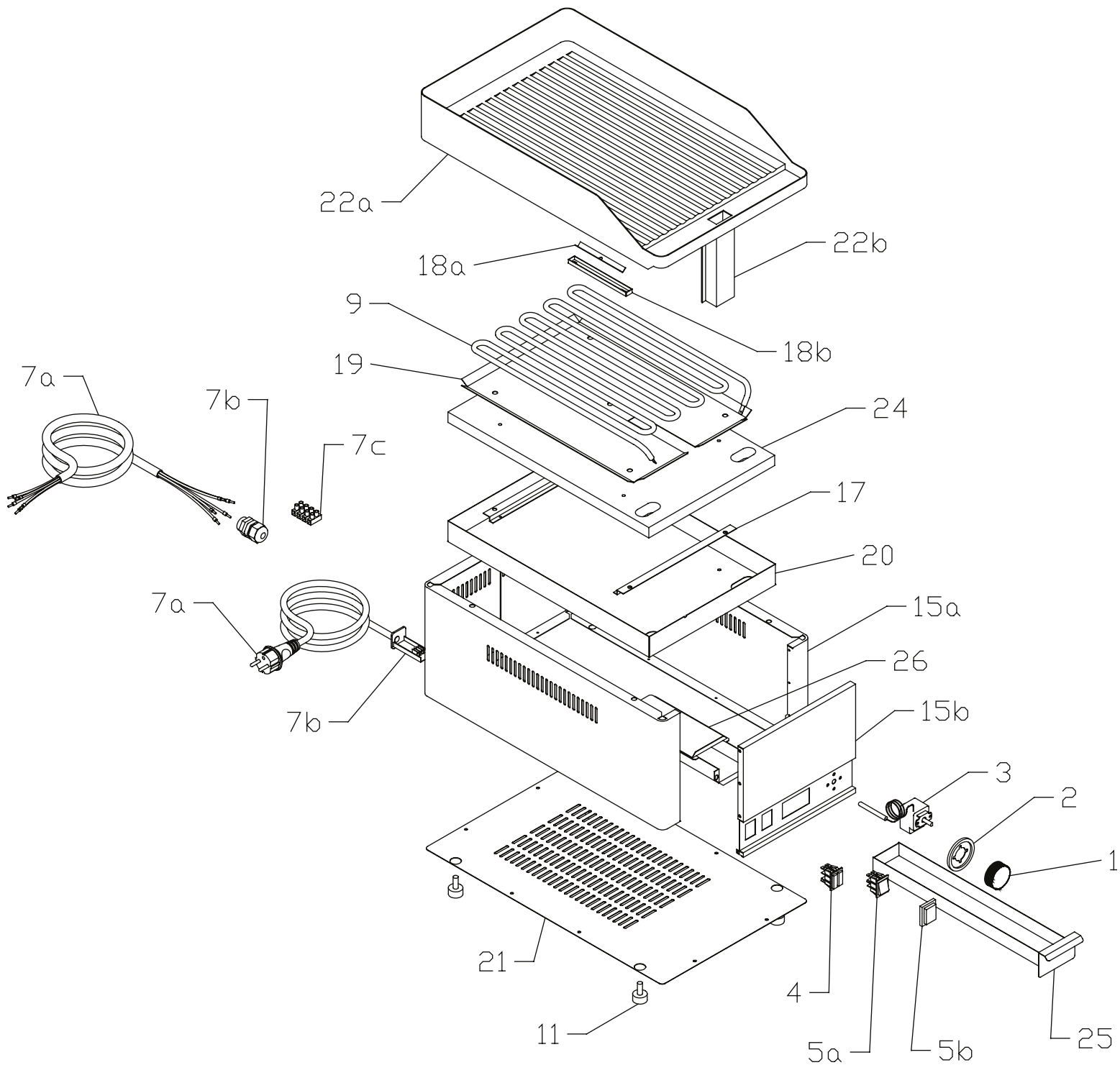
Poz.	Kód
1	rm402593000
2	rm402595000
3	rm402503500
4	rm401510000
5a	rm401500500
5b	rm401509000
6	-----
7a	rm402010500
7b	rm402085500
8	-----
9	rm401025010
10	-----
11	rm407810500
12	-----
13	-----
14	-----
15a	rm501000100
15b	rm451001010
16	-----
17	rm451002500
18a	rm451008700
18b	rm451008600
19	rm451007500
20	rm451002400
21	rm451002000
22a	rm501005577
22b	rm501002100
23	-----
24	rm407500500
25	rm503000450
26	rm501002200

FTHR-C - 60
platí do 1.6.2009

Poz.	Kód
1	rm402593000
2	rm402595000
3	rm402503500
4	rm401510000
5a	rm401500500
5b	rm401509000
6	-----
7a	rm402010700
7b	rm402086016
7c	rm402080100
8	-----
9	rm401025010
10	-----
11	rm407810500
12	-----
13	-----
14	-----
15a	rm501000500
15b	rm451016010
16	-----
17	rm451019500
18a	rm451008700
18b	rm451008600
19	rm451007500
20	rm451019000
21	rm451018500
22a	rm501005617
22b	rm501002100
23	-----
24	rm407500500
25	rm503000450
26	rm501002200

Rozkres FTR (C) - 30, FTHR (C) - 60

platí od 1.6.2009





FTR - 30
platí od 1.6.2009

Poz.	Kód
1	rm402593000
2	rm402595000
3	rm402503500
4	rm401510000
5a	rm401500500
5b	rm401509000
6	-----
7a	rm402010500
7b	rm402085500
8	-----
9	rm401025000A
10	-----
11	rm407810500
12	-----
13	-----
14	-----
15a	rm501000100
15b	rm451001010
16	-----
17	rm451002500
18a	rm451008700
18b	rm451008600
19	rm451007500A
20	rm451002410
21	rm451002000
22a	rm501005555
22b	rm501002100
23	-----
24	rm407500500
25	rm503000450
26	rm501002200

FTHR - 60
platí od 1.6.2009

Poz.	Kód
1	rm402593000
2	rm402595000
3	rm402503500
4	rm401510000
5a	rm401500500
5b	rm401509000
6	-----
7a	rm402010700
7b	rm402086016
7c	rm402080100
8	-----
9	rm401025000A
10	-----
11	rm407810500
12	-----
13	-----
14	-----
15a	rm501000500
15b	rm451016010
16	-----
17	rm451019500
18a	rm451008700
18b	rm451008600
19	rm451007500A
20	rm451019010
21	rm451018500
22a	rm501005595
22b	rm501002100
23	-----
24	rm407500500
25	rm503000450
26	rm501002200

FTR-C - 30
platí od 1.6.2009

Poz.	Kód
1	rm402593000
2	rm402595000
3	rm402503500
4	rm401510000
5a	rm401500500
5b	rm401509000
6	-----
7a	rm402010500
7b	rm402085500
8	-----
9	rm401025000A
10	-----
11	rm407810500
12	-----
13	-----
14	-----
15a	rm501000100
15b	rm451001010
16	-----
17	rm451002500
18a	rm451008700
18b	rm451008600
19	rm451007500A
20	rm451002410
21	rm451002000
22a	rm501005577
22b	rm501002100
23	-----
24	rm407500500
25	rm503000450
26	rm501002200

FTHR-C - 60
platí od 1.6.2009

Poz.	Kód
1	rm402593000
2	rm402595000
3	rm402503500
4	rm401510000
5a	rm401500500
5b	rm401509000
6	-----
7a	rm402010700
7b	rm402086016
7c	rm402080100
8	-----
9	rm401025000A
10	-----
11	rm407810500
12	-----
13	-----
14	-----
15a	rm501000500
15b	rm451016010
16	-----
17	rm451019500
18a	rm451008700
18b	rm451008600
19	rm451007500A
20	rm451019010
21	rm451018500
22a	rm501005617
22b	rm501002100
23	-----
24	rm407500500
25	rm503000450
26	rm501002200